



SW652-1

VIBRATORY TANDEM ROLLER

Efficient compaction with various vibratory modes

Sakai patented compaction technologies

- SW652-1/-1K, standard model features 4,020vpm high frequency vibration by which can efficiently achieve the density faster and create smoother hot mix asphalt (HMA) mat.
- "B model", split drum type is also equipped with high frequency vibration and is easy to operate in the tight corner without pushing or shoving the material.
- On "ND model", oscillatory or circular (normal) vibration is selected by switch at operator station depending on the job conditions. The oscillatory vibration is good for thin lift and the circular vibration is effective for thick layer compaction.

Operators comfort

- Full view over drum surface, drum edge and sprinkler nozzles.
- Auto shut-off of water sprinkler when the Forward & Reverse lever is in the neutral position.
- Patented dual water pump system for increased reliability.

High safety standards

- 1 m × 1 m visibility.
- Emergency brake pedal is standard.

Easy Maintenance

- Rugged articulated centre-pin joint.
- Long life Sakai patented rubber isolators for drums.
- Sprinkler system with anti-clog package, i.e., a plastic water tank, triple-protection filtration, etc., and with perfect draining winterization.
- KUBOTA V3307 engine features OHV4 valve and Turbo that maintains output even at high elevations.



SW652B-1



SW652ND-1



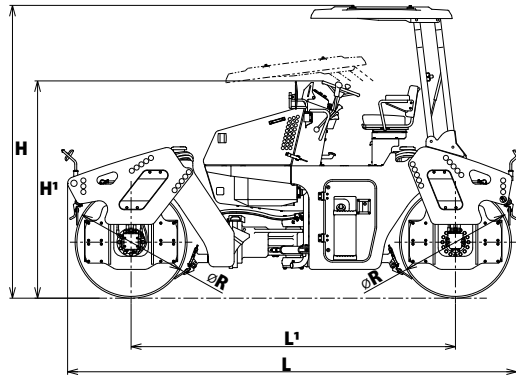
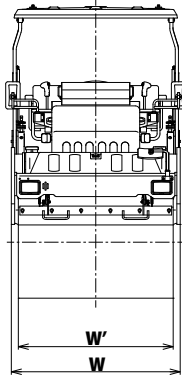
SW652H-1

If you need any technical or service parts support on our products, please contact this web page.



www.sakainet.co.jp/english/

SW652-1 SW652-1K Series



TYPE			Vibratory Tandem Roller				
MODEL			SW652-1	SW652H-1	SW652ND-1	-	
CHASSIS MODEL			SW652-1K	SW652H-1K	-	SW652NDH-1K	
			1SW47 [SW652-1 Series]				
			1SW52 [SW652-1K Series]				
WEIGHTS	Max. operating weight with AWNING	kg (lbs)	7,180 (15,830)	8,080 (17,815)	7,480 (16,490)	8,140 (17,945)	
	Operating weight with AWNING	kg (lbs)	6,820 (15,035)	7,720 (17,020)	7,120 (15,700)	7,780 (17,150)	
	Load on front axle - operating weight with AWNING	kg (lbs)	3,290 (7,255)	3,740 (8,245)	3,440 (7,585)	3,770 (8,310)	
	Load on rear axle - operating weight with AWNING	kg (lbs)	3,530 (7,780)	3,980 (8,775)	3,680 (8,115)	4,010 (8,840)	
PERFORMANCE	Centrifugal force (L / H)	kN (lbs) [kgf]	62 / 69 (13,940 / 15,510) [6,320 / 7,040]		(Vib. / Osc.) 68 / 124 (15,285 / 27,875) [6,930 / 12,640]		
	Frequency (L / H)	Hz (vpm)	67 / 50 (4,020 / 3,000)		(Vib. / Osc.) 49 / 49 (2,940 / 2,940)		
	Amplitude (L / H)	mm (in)	0.30 / 0.55 (0.012 / 0.022)	0.20 / 0.40 (0.008 / 0.016)	(Vib. / Osc.) 0.52 / 0.75 (0.020 / 0.030) (Vib. / Osc.) 0.39 / 0.53 (0.015 / 0.021)		
	Dynamic linear pressure for front drum - operating weight with AWNING (L / H)	N/cm (lbs/in)	637 / 684 (365 / 390)	667 / 683 (380 / 390)	Vibration 687 (390)	Vibration 709 (405)	
	Dynamic linear pressure for rear drum - operating weight with AWNING (L / H)	N/cm (lbs/in)	653 / 700 (375 / 400)	714 / 730 (410 / 415)	Vibration 703 (400)	Vibration 725 (415)	
	Number of speed shifts		6				
	Speed range (L / H)	km/h (mph)	0-2, 0-4, 0-6 / 0-4, 0-8, 0-13 (0-1.2, 0-2.5, 0-3.7 / 0-2.5, 0-5.0, 0-8.1)				
	Gradeability	% (°)	34 (19)	29 (16)	32 (18)	29 (16)	
	Turning radius compacted surface (inside / outside)	m (in)	3.7 / 5.1 (146 / 201)				
	DIMENSIONS	Overall length L	mm (in)	4,300 (169)			
Overall width W		mm (in)	1,615 (64)				
Overall height (without AWNING) H ¹		mm (in)	2,080 (82)	2,085 (82)	2,080 (82)	2,085 (82)	
Overall height (with AWNING) [fold / unfold] H		mm (in)	2,315 / 2,795 (91 / 110)	2,320 / 2,805 (91 / 110)	2,315 / 2,795 (91 / 110)	2,320 / 2,805 (91 / 110)	
Wheelbase L ¹		mm (in)	3,100 (122)				
Compaction width W ¹		mm (in)	1,480 (58)				
Drum width W ¹ / Drum diameter R		mm (in)	1,480 / 1,070 (58 / 42)	1,480 / 1,087 (58 / 43)	1,480 / 1,070 (58 / 42)	1,480 / 1,087 (58 / 43)	
Shell thickness		mm (in)	17 (0.7)	25.5 (1.0)	17 (0.7)	25.5 (1.0)	
Ground clearance		mm (in)	275 (11)	280 (11)	275 (11)	280 (11)	
Curb clearance		mm (in)	705 (28)	715 (28)	705 (28)	715 (28)	
Side clearance		mm (in)	67 (2.5)				
ENGINE		Make		KUBOTA			
	Model		V3307-DI-T-KDN (Interim Tier4) [SW652-1 Series] V3307-DI-T-E2B-RRSH1 [SW652-1K Series]				
	Type		Diesel, water cooled, 4 cycle, 4 cylinder, with turbo charger				
	Displacement	L (cu.in)	3.331 (203.3)				
	Rated output	kW (HP)/min ⁻¹	55.4 (74) / 2,200				
	Electric system battery	V (V/Ah× Qty)	12V (12V / 72 x 1)				
	Electric system alternator	V/A	12V / 80A				
	DRIVE SYSTEM	Power transmission type		Hydrostatic			
		Drive wheel		All wheel (two drums)			
	VIBRATION SYSTEM	Power transmission type		Hydraulic			
Number of amplitude			2				
BRAKE SYSTEM	Service brake		Dynamic braking through hydrostatic drive system / FNR lever				
	Secondary brake (Emergency brake)		Hydrostatic + Spring applied hydraulically released type (SAHR) / Brake pedal				
	Parking brake		SAHR / Panel button				
STEERING SYSTEM	Power transmission type		Hydraulic				
	Articulation / Oscillation angle	± (°)	39 / 9				
FLUID CAPACITY	Fuel tank	L (gal)	120 (31.7)				
	Hydraulic oil tank	L (gal)	51 (13.5)				
	Water sprinkler tank	L (gal)	300 (79.3) x 2				

● Specified figures have a tolerance of ±5%.

● All specifications may be changed without notice.

● Specified figures are in SI Units, followed by their equivalent in English units of measurement in parentheses.

● Max. operating weight : Fuel=100%, Water=100%, Operator=75kg

● Operating weight : Fuel=50%, water=50%, operator=75kg

● The photos may contain optional equipment and/or attachment.

* Engine meets EPA standards for SW652-1 series.
* Using low quality fuel may cause engine failure.

Standard Equipment:

- AWNING ● Instrument panel ● Gauges ● Backup alarm ● Horn
- Working lights ● Turn signal lamp ● Mirrors ● Scrapers for both directions
- Sliding seat ● Independent vibration control ● Pressurized water sprinkler system
- Intermittent water spray timer ● 4 points lifting ● Accessory socket (12V)

Optional Equipment:

- ROPS CANOPY ● Rotary beacon ● Seatbelt ● Side sliding seat ● Split drum



SAKAI HEAVY INDUSTRIES, LTD.

HEAD OFFICE: 1-4-8, SHIBA DAIMON, MINATO-KU, TOKYO JAPAN

TELEPHONE: +81-3-3431-9971

FACSIMILE: +81-3-3436-6212